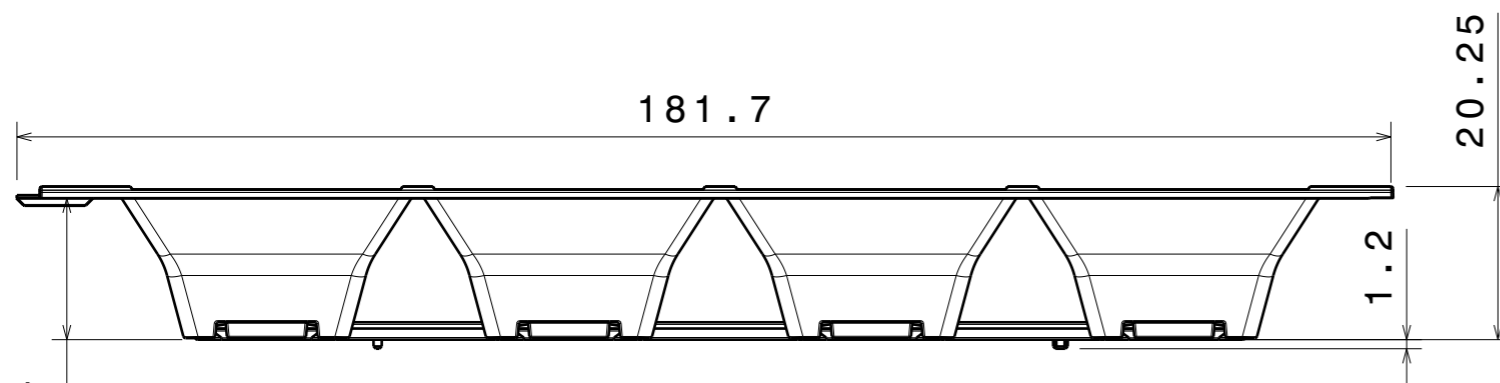
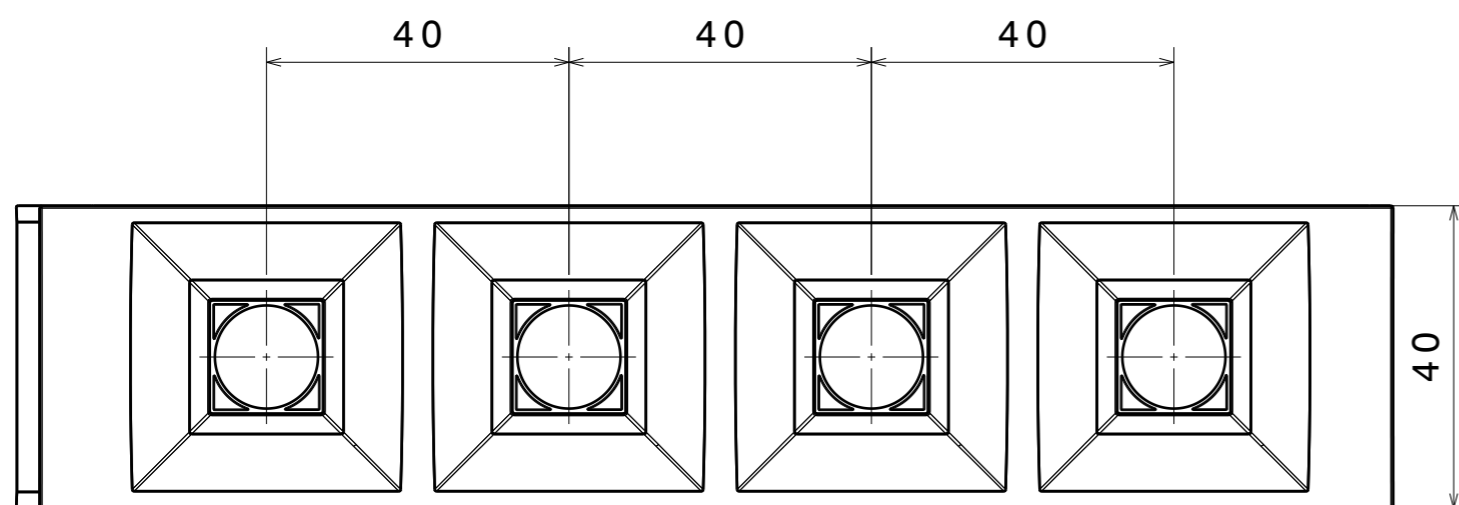


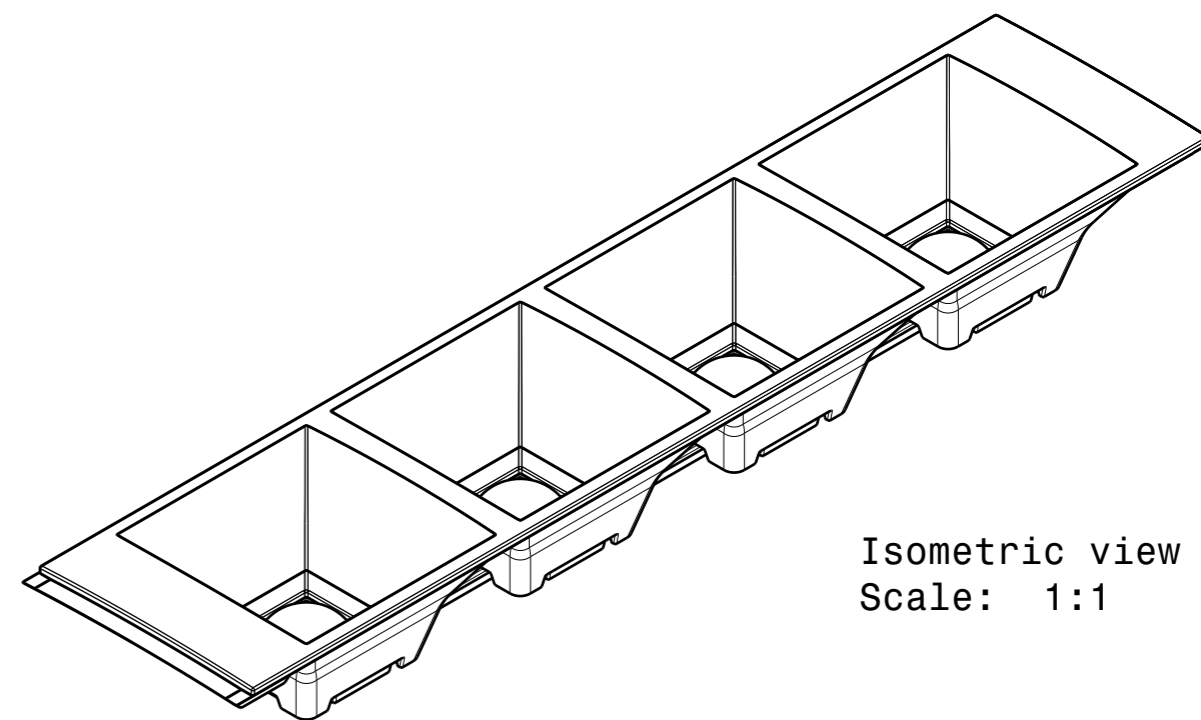
Bottom view



Front view



Top view



Isometric view  
Scale: 1:1

INDEX	QTY.	PART NO	TYPE	MATERIAL	COLOR / COATING
1	1	C16992_DAISSY-4X1-W-D	LENS	PMMA	DF21 Diffusive
2	1	SHD			
		C16590_DAISSY-4X1-SHD	SHADE	PC/ABS	BLACK
		C16784_DAISSY-4X1-SHD-WHT	SHADE	PC	WHITE
		C18407_DAISSY-4X1-SHD-MET	SHADE	PC	METAL/GLOSS
		C18414_DAISSY-4X1-SHD-MET-MATT	SHADE	PC	METAL/MATT

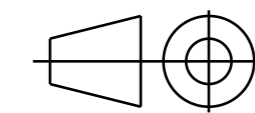
**MECHANICAL DRAWING**

PRODUCT  
**DAISSY-4X1**

**LEDiL**<sup>®</sup>

Plastic moulding general tolerances according to DIN 16901-130 and applies if not otherwise shown in the drawing. Silicone moulding general tolerances according to ISO 3302-1 Class M3 and applies if not otherwise shown in the drawing.

FIRST ANGLE PROJECTION:



This drawing is the property of LEDiL Oy. It may not be copied or otherwise distributed without prior written permission from LEDiL Oy.

SCALE 1:1

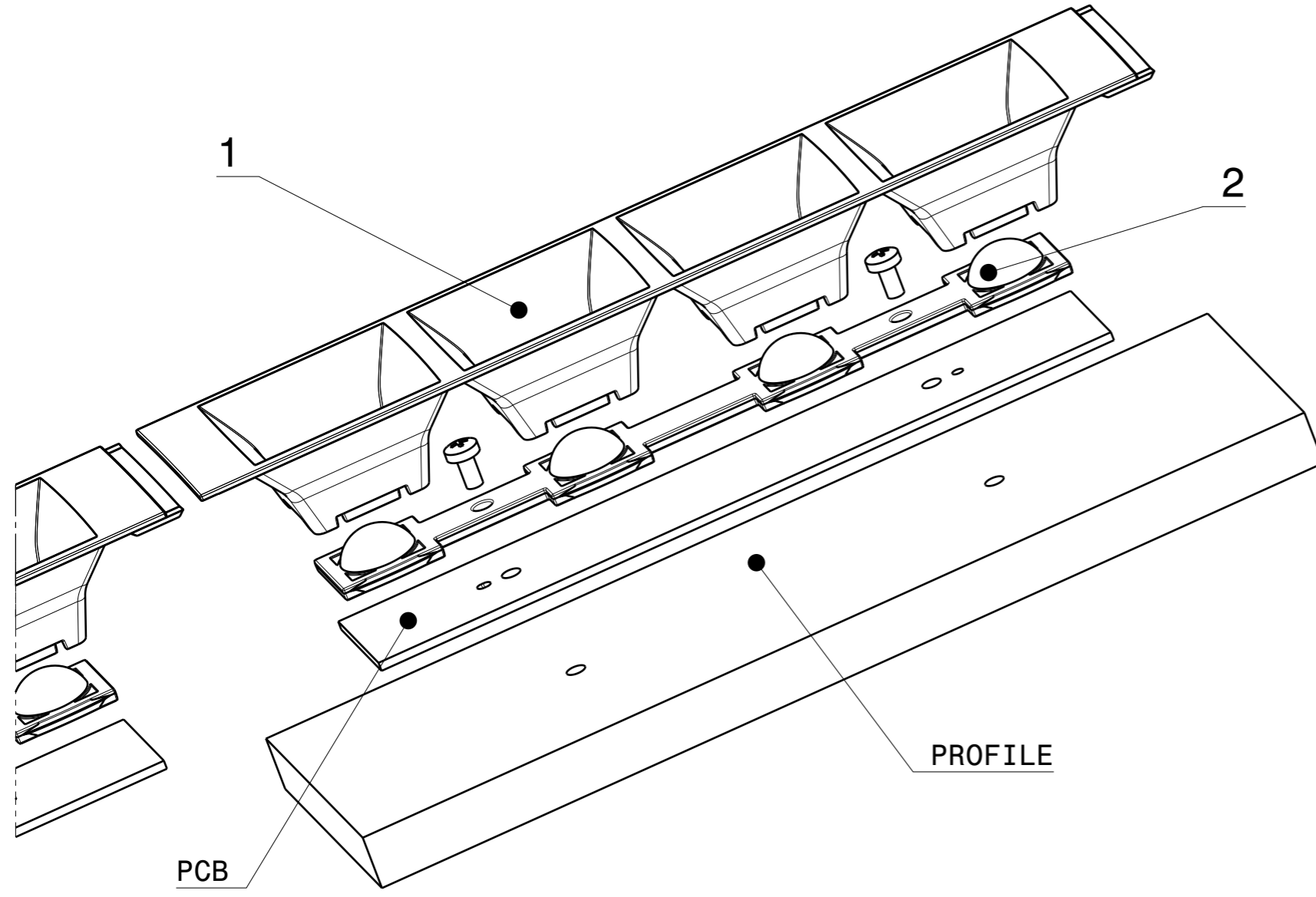
WEIGHT -

A3 SHEET 1/4

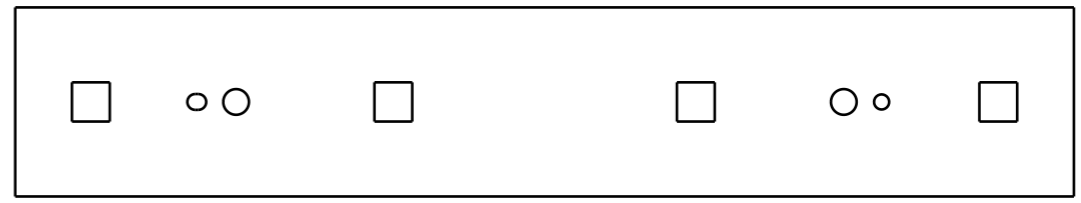
**Notes**

- PCB or heatsink level.
- LED location
- Ensure LED fitting from a product specific 3D model available from [www.ledil.com](http://www.ledil.com)
- For more details about installation please see LEDiL Installation Guide on [www.ledil.com](http://www.ledil.com)

H G F E D C B A



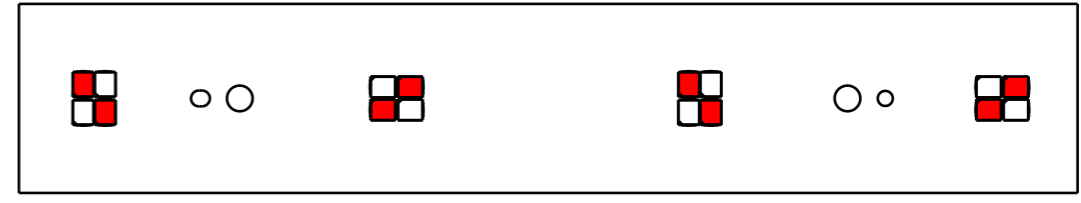
Positioning of different LED combinations



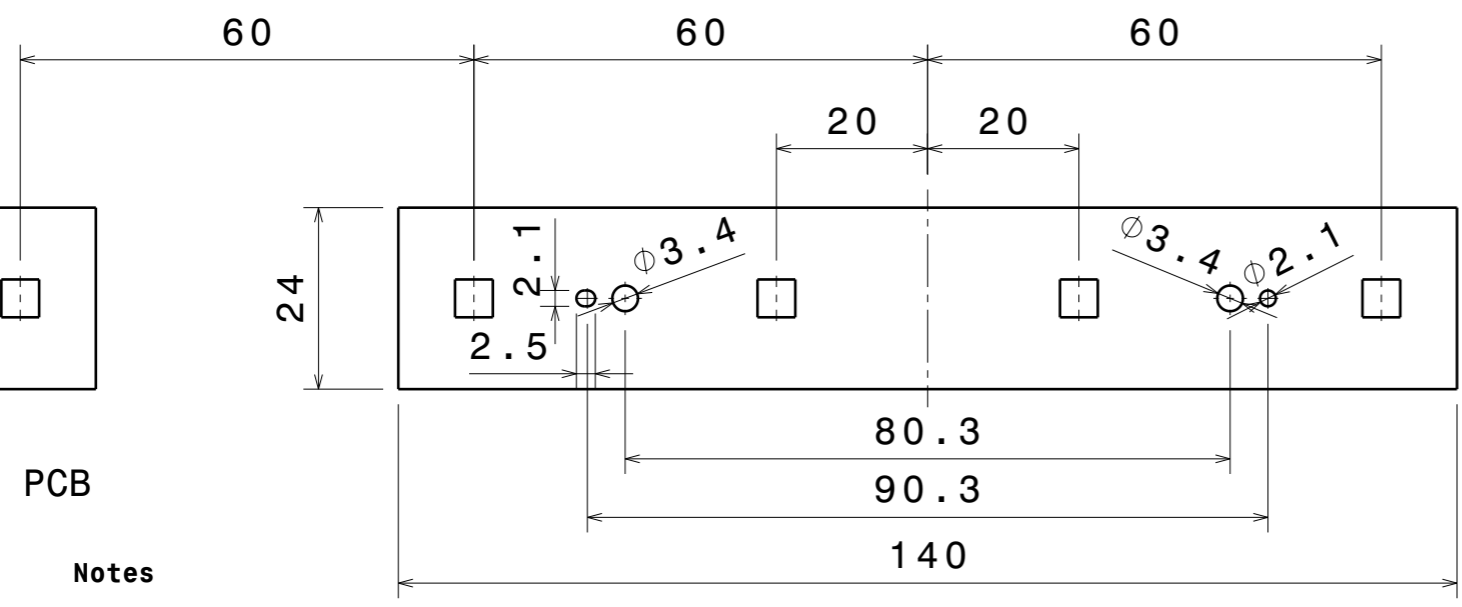
LED 1 X 5050



LED 2 X 5630



LED 4 X 2835



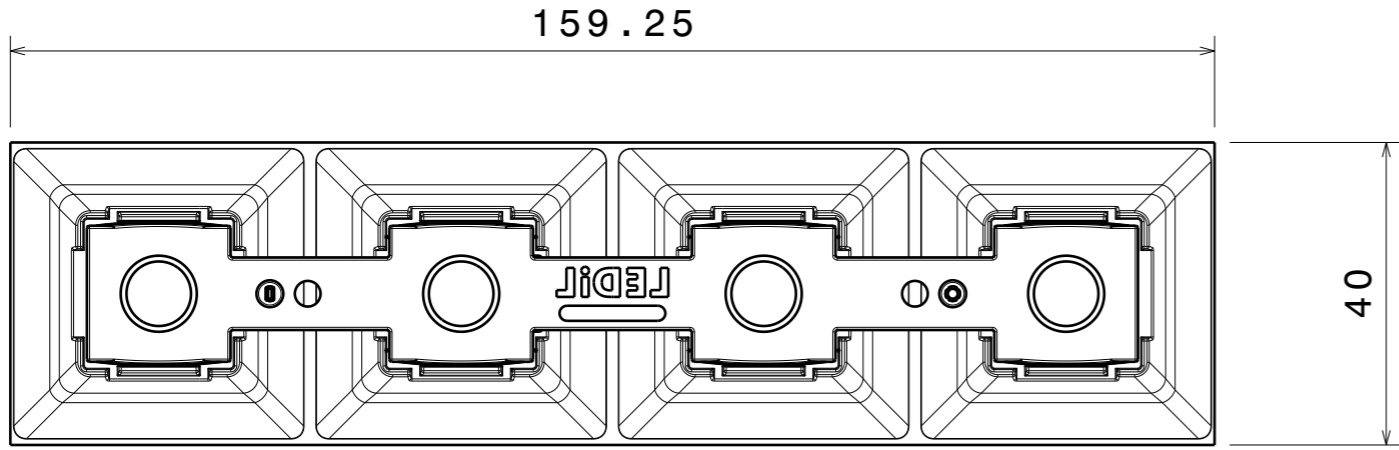
INDEX	QTY.	PART NO	TYPE	MATERIAL	COLOR / COATING
1	1	C16992_DAISSY-4X1-W-D	LENS	PMMA	DF21 Diffusive
2	1	SHD			
		C16590_DAISSY-4X1-SHD	SHADE	PC/ABS	BLACK
		C16784_DAISSY-4X1-SHD-WHT	SHADE	PC	WHITE
		C18407_DAISSY-4X1-SHD-MET	SHADE	PC	METAL/GLOSS
		C18414_DAISSY-4X1-SHD-MET-MATT	SHADE	PC	METAL/MATT

<b>MECHANICAL DRAWING</b>		<b>LEDiL®</b>
PRODUCT <b>DAISSY-4X1</b>		
Plastic moulding general tolerances according to DIN 16901-130 and applies if not otherwise shown in the drawing. Silicone moulding general tolerances according to ISO 3302-1 Class M3 and applies if not otherwise shown in the drawing.	FIRST ANGLE PROJECTION: 	This drawing is the property of LEDiL Oy. It may not be copied or otherwise distributed without prior written permission from LEDiL Oy.
SCALE 1:1	WEIGHT -	A3 SHEET 2/4

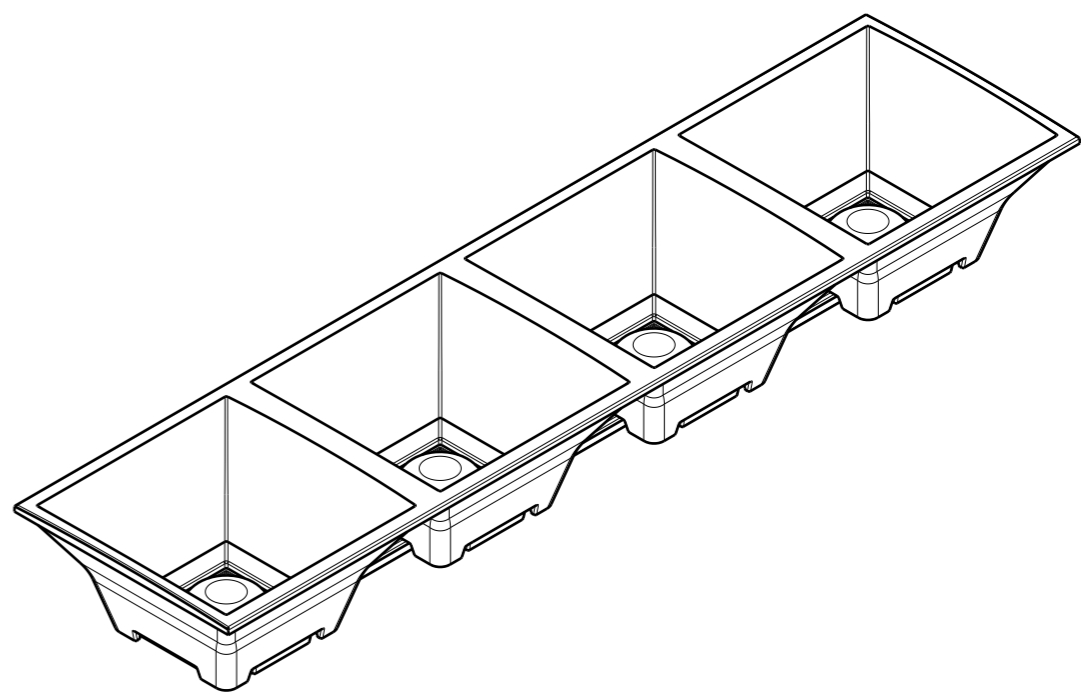
**Notes**  
 Ensure LED fitting from a product specific 3D model available from [www.ledil.com](http://www.ledil.com)  
 For more details about installation please see LEDiL Installation Guide on [www.ledil.com](http://www.ledil.com)

@ A B A

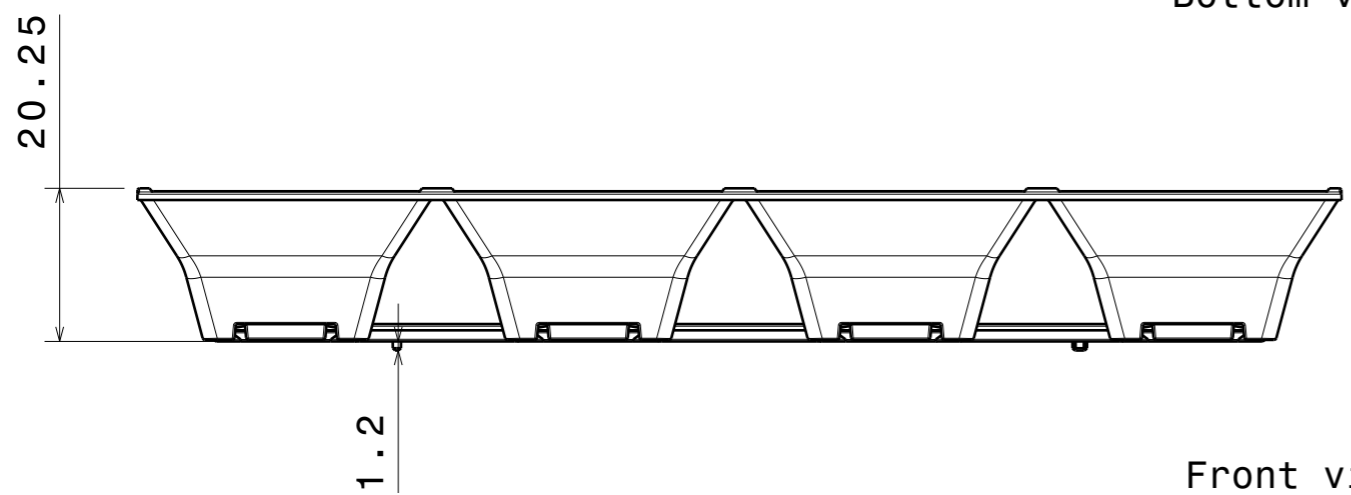
H G F E D C B A



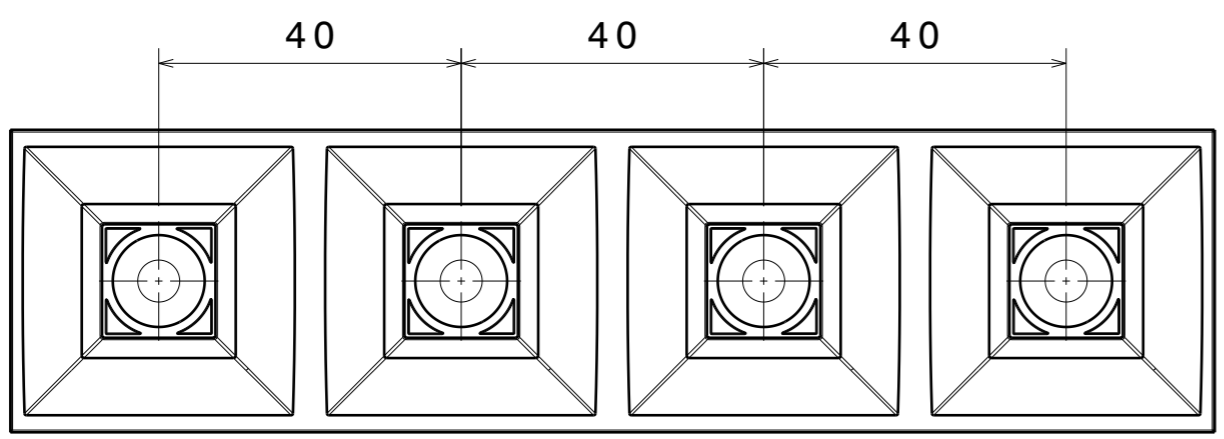
Bottom view



Isometric view  
Scale: 1:1



Front view



Top view

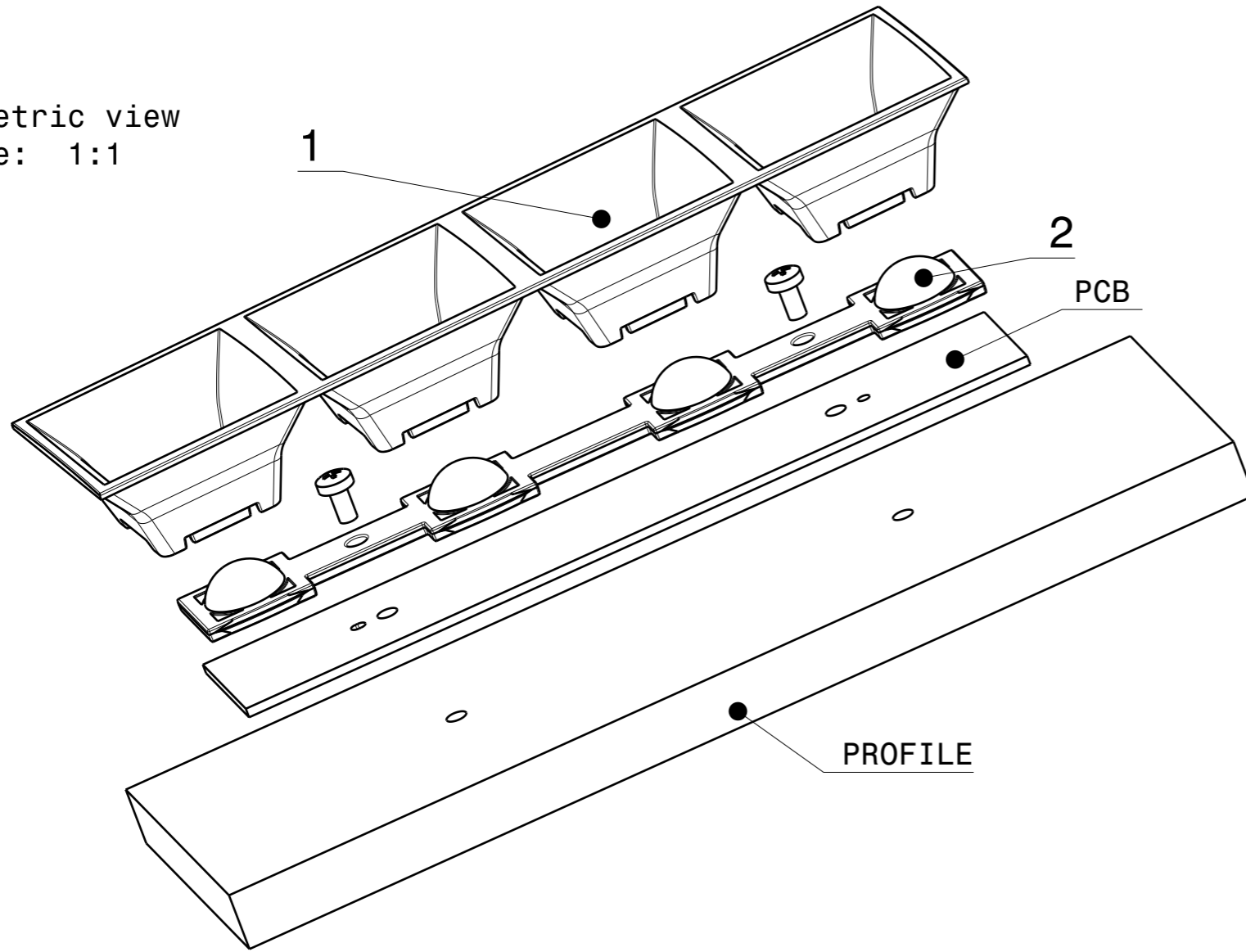
INDEX	QTY.	PART NO	TYPE	MATERIAL	COLOR / COATING
1	1	C16992_DAISSY-4X1-W-D	LENS	PMMA	DF21 Diffusive
2	1	SHD			
		C17422_DAISSY-4X1-SHD2-MATT	SHADE	PC/ABS	BLACK/MATT
		C17423_DAISSY-4X1-SHD2-WHT-MATT	SHADE	PC	WHITE/MATT
		C18412_DAISSY-4X1-SHD2-MET	SHADE	PC	METAL/GLOSS
		C18411_DAISSY-4X1-SHD2-MET-MATT	SHADE	PC	METAL/MATT

<b>MECHANICAL DRAWING</b>		<b>LEDiL<sup>®</sup></b>
PRODUCT <b>DAISSY-4X1</b>		
Plastic moulding general tolerances according to DIN 16901-130 and applies if not otherwise shown in the drawing. Silicone moulding general tolerances according to ISO 3302-1 Class M3 and applies if not otherwise shown in the drawing.	FIRST ANGLE PROJECTION: 	This drawing is the property of LEDiL Oy. It may not be copied or otherwise distributed without prior written permission from LEDiL Oy.
SCALE 1:1	WEIGHT -	A3 SHEET 3/4

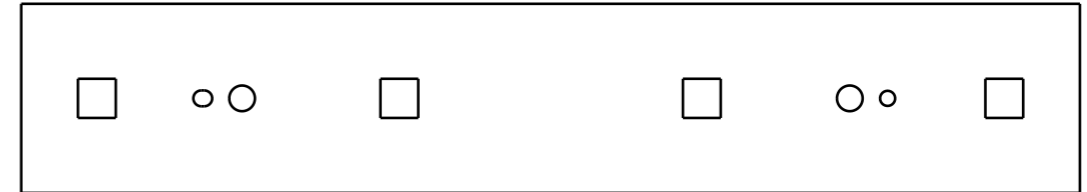
- Notes**
- PCB or heatsink level.
  - LED location
  - Ensure LED fitting from a product specific 3D model available from [www.ledil.com](http://www.ledil.com)
  - For more details about installation please see LEDiL Installation Guide on [www.ledil.com](http://www.ledil.com)

H G F E D C B A

Isometric view  
Scale: 1:1



Positioning of different LED combinations



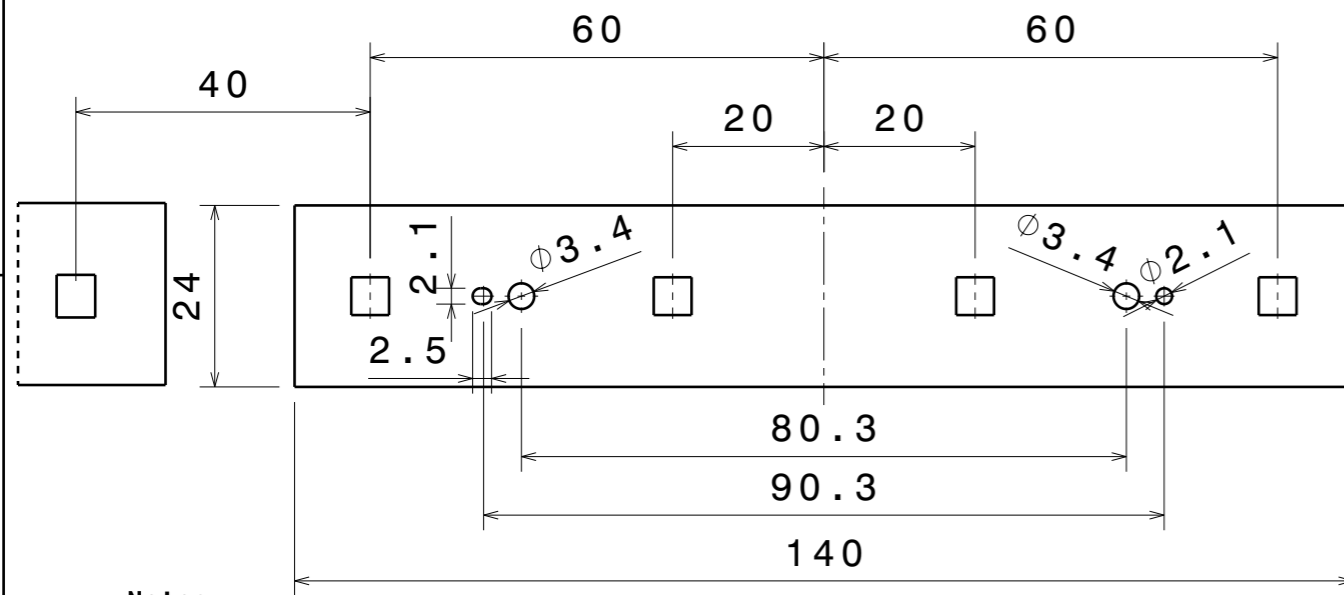
LED 1 X 5050



LED 2 X 5630



LED 4 X 2835



INDEX	QTY.	PART NO	TYPE	MATERIAL	COLOR / COATING
1	1	C16992_DAISSY-4X1-W-D	LENS	PMMA	DF21 Diffusive
2	1	SHD			
		C17422_DAISSY-4X1-SHD2-MATT	SHADE	PC/ABS	BLACK/MATT
		C17423_DAISSY-4X1-SHD2-WHT-MATT	SHADE	PC	WHITE/MATT
		C18412_DAISSY-4X1-SHD2-MET	SHADE	PC	METAL/GLOSS
		C18411_DAISSY-4X1-SHD2-MET-MATT	SHADE	PC	METAL/MATT

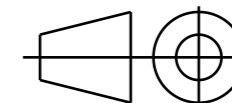
MECHANICAL DRAWING

PRODUCT  
**DAISSY-4X1**

**LEDiL**®

Plastic moulding general tolerances according to DIN 16901-130 and applies if not otherwise shown in the drawing. Silicone moulding general tolerances according to ISO 3302-1 Class M3 and applies if not otherwise shown in the drawing.

FIRST ANGLE PROJECTION:



This drawing is the property of LEDiL Oy. It may not be copied or otherwise distributed without prior written permission from LEDiL Oy.

SCALE 1:1

WEIGHT -

A3 SHEET 4/4

Notes

Ensure LED fitting from a product specific 3D model available from [www.ledil.com](http://www.ledil.com)  
For more details about installation please see LEDiL Installation Guide on [www.ledil.com](http://www.ledil.com)